



ENVIRONMENTAL
EQUIPMENT, INC.

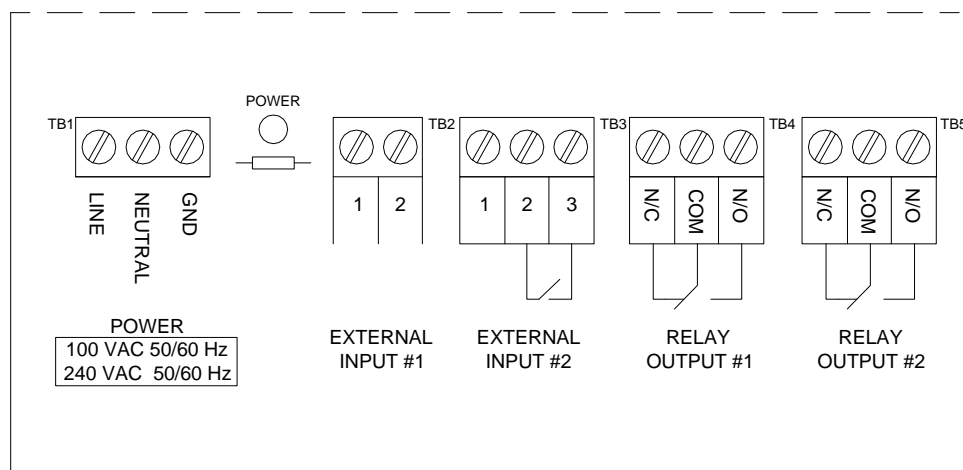
AUDIO/VISUAL ALARM (AVA) INSTALLATION AND OPERATION

10/2008

The Arch Environmental Equipment, Inc. Audio Visual Alarm (AVA) is a simple to use unit. The AVA will energize an audio/visual alarm and an output relay if it receives an open indication in the normally closed circuit of external Input #2

ELECTRICAL CONNECTIONS (SEE FIGURE #1)

1. Connect de-energized 110VAC or 240VAC 50/60 Hz to the terminals, depending on version of ZSU, labeled LINE, NEUTRAL, GROUND.
2. Connect the normally open circuit to TB2-2 and TB2-3 on External Input #2.
3. Relay Output #1 can be used as an relay indication of the units status. Relay Output #2 is used for the AVA alarms.
4. Energize power to AVA.
5. The AVA is now operational.



If you have any questions concerning the installation or operation of the Audio/Visual Alarm, please call Arch Environmental Equipment, Inc. at (800) 553-4567.