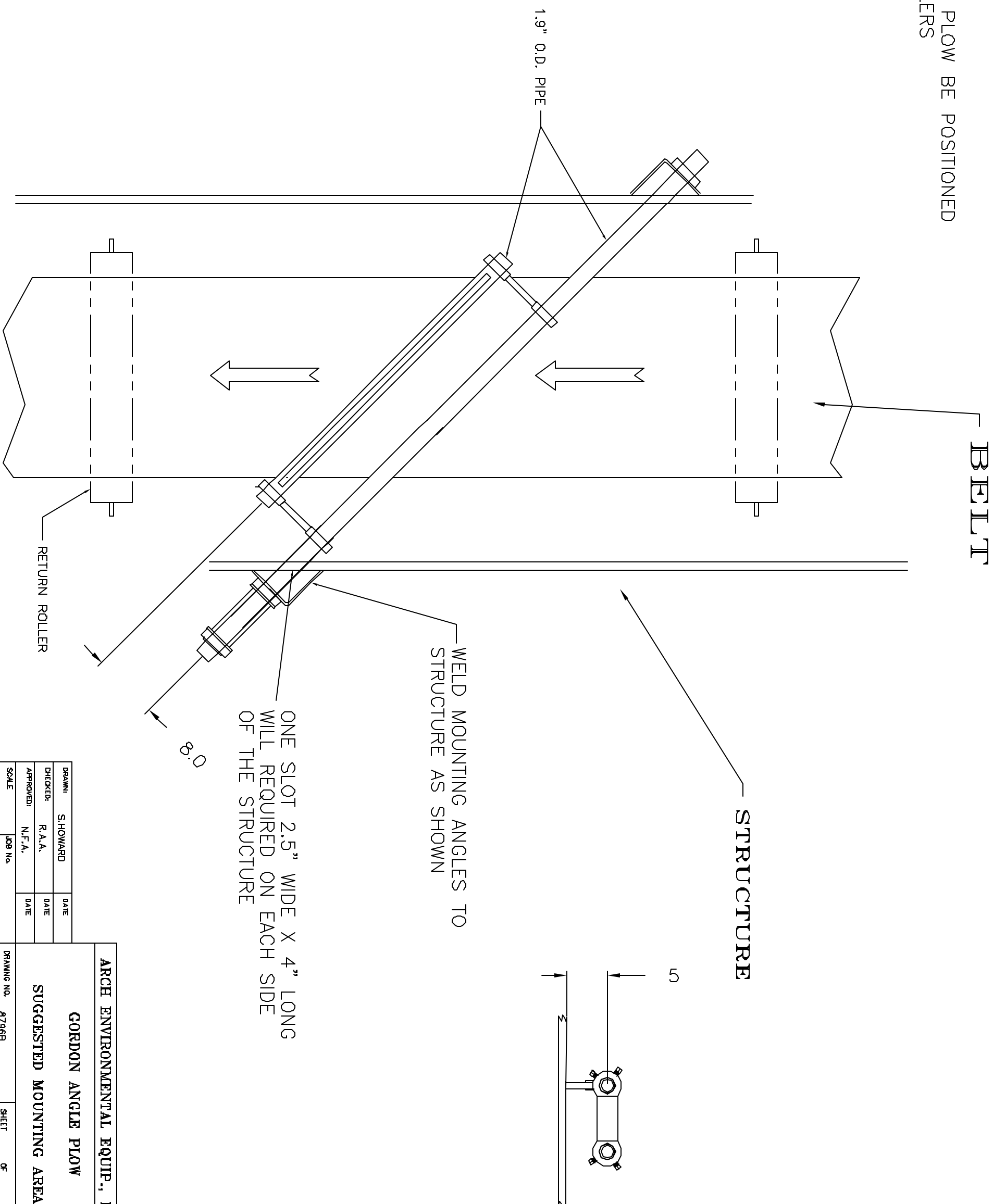


IT IS SUGGESTED THAT THE ANGLE PLOW BE POSITIONED AS SHOWN BETWEEN RETURN ROLLERS



FILENAME= APMMNT  
 PLOTSCALE= 1=8

|          |           |      |
|----------|-----------|------|
| DRAWN    | S. HOWARD | DATE |
| CHECKED  | R.A.A.    | DATE |
| APPROVED | N.F.A.    | DATE |
| SCALE    | JOB No.   |      |

|                                 |       |
|---------------------------------|-------|
| ARCH ENVIRONMENTAL EQUIP., INC. |       |
| GORDON ANGLE PLOW               |       |
| SUGGESTED MOUNTING AREA         |       |
| DRAWING NO.                     | 8796B |
| SHEET                           | OF    |
| REV.                            |       |