

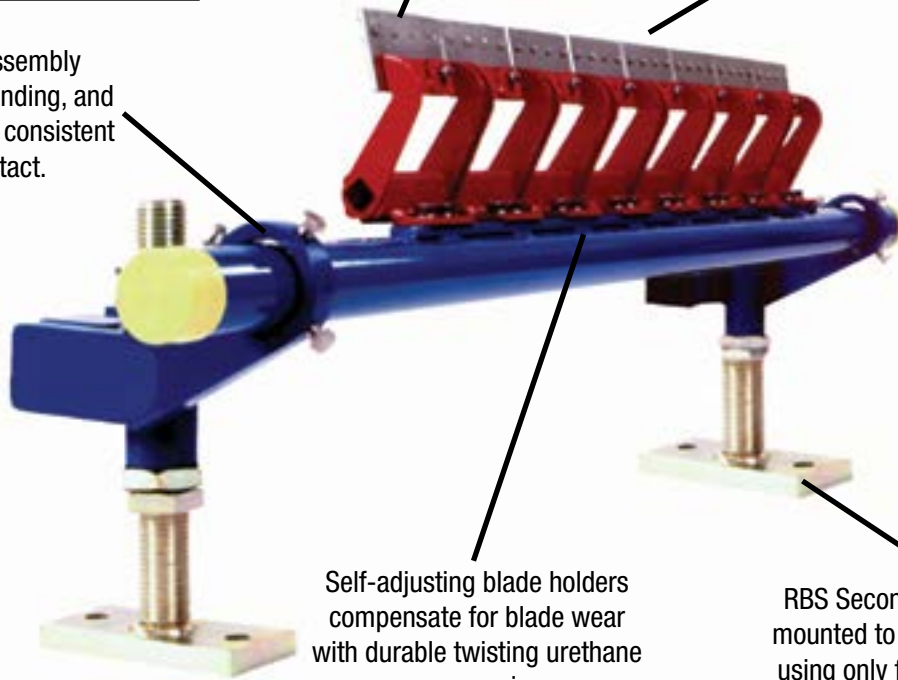
# RBS SECONDARY CLEANER®

- ✓ EZ Installation
- ✓ Low Maintenance
- ✓ Metal Blade
- ✓ Fast Delivery
- ✓ Worksheet Required

Ultra-stable double-arm design reduces chattermarks and belt damage by eliminating blade oscillation; components ensure optimum blade contact and minimal return force after deflection.

Cantilever design provides consistent blade-to-belt pressure.

Reinforced carrier assembly withstands buckling, bending, and misalignment to assure consistent blade-to-belt contact.



Self-adjusting blade holders compensate for blade wear with durable twisting urethane compression.

RBS Secondary Cleaner is easily mounted to the conveyor structure using only four(4) mounting bolts.



- Single-unit compact design requires minimal space for installation (13.8" x 7.1").
- Range of metal scrapers available to suit any application.
- Torsion holder assembly allows mechanical splices to pass without harm to the blade.
- Increases belt and idler life eliminating sticky carryback.
- Reduces operation costs by extending the life of vital conveyor components.



## WHO IS ARCH ENVIRONMENTAL?

Manufacturer and worldwide distributor of preferred bulk conveyor components since 1975.



800.553.4567 [www.archenv.com](http://www.archenv.com)

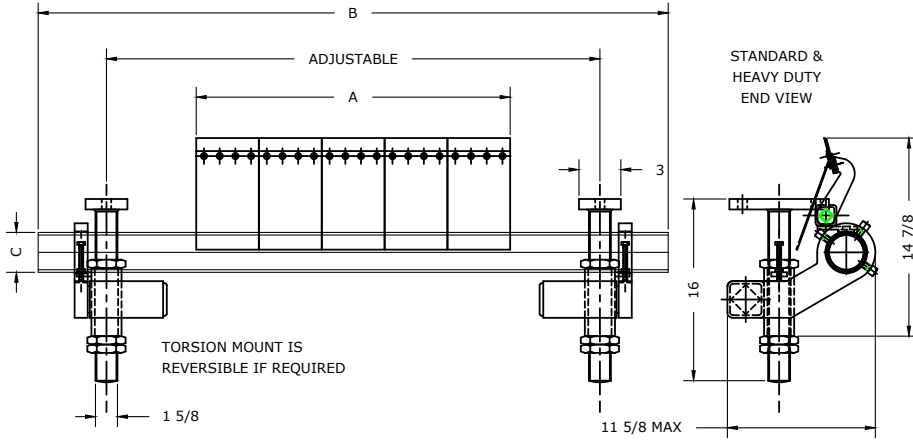
## MECHANICAL DIVISION

Belt Cleaners • Belt Alignment • Sealing Systems  
Dust Control Systems • Impact/Slider Systems

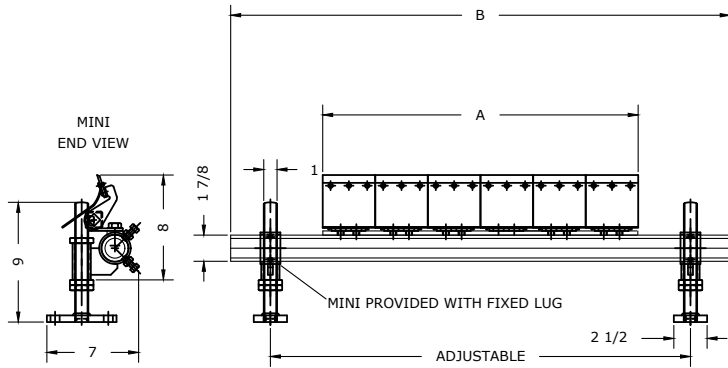
## ELECTRICAL DIVISION

Belt Scales • Metal Detectors • Pull Cord Switches  
Belt Protection Devices • Conveyor Control Systems

# RBS SECONDARY CLEANER®



BELT WIDTH	ARCH/BMS SD & HD CLEANER			
	ALL DIMENSIONS IN INCHES			
	A	B	C	BLADE QTY
24	19	78	2 3/8	4
30	28 3/8	78	2 3/8	6
36	33	78	2 3/8	7
42	37 7/8	78	2 3/8	8
48	42 1/2	98	2 7/8	9
54	52	98	2 7/8	11
60	56 3/4	98	2 7/8	12
72	63 1/8	118	4	14
84	80 3/8	118	4	17



BELT WIDTH	ARCH/BMS MINI BELT CLEANER			
	ALL DIMENSIONS IN INCHES			
	A	B	C	BLADE QTY
18	15 7/8	35	1 7/8	4
24	23 3/4	55	1 7/8	6
30	27 5/8	59	1 7/8	7
36	35 1/2	86	1 7/8	9
42	39 1/2	86	1 7/8	10
48	47 3/8	98	1 7/8	12

ARCH/BMS SECONDARY CLEANER PART NUMBERS			
ORDERING INFORMATION			
MAM**+---00			
**STYLE:	++ BLADE:	BELT WIDTH	
MN = MINI	C1		
SD = STANDARD	TC		
HD = HEAVY	3T		
	TS		

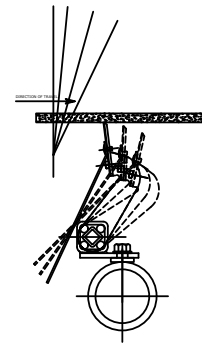
(Example: MAMSDT303600)

Blade style to be determined by the factory based upon application data provided by the customer.

Please complete the Belt Cleaner Worksheet prior to quotations to insure proper selection of blade and frame components.

#### PRINCIPLE OF OPERATION:

The leading edge of the blade is directly above the fulcrum point, allowing the blade to deflect on a radius from the center of the torsion unit in the direction that the belt is travelling. This allows the blade to let the obstruction pass without damage to the belt or cleaner.



Covered under one or more of the following patents:  
 4,202,437;4,231,471;4,436,446;4,489,823;4,533,036;4,779,716;4,877,125;  
 4,989,727;5,149,305;5,222,588;5,222,589;5,219,063;5,350,053;5,725,083  
 other patents pending



Note: If available, prices vary with options.