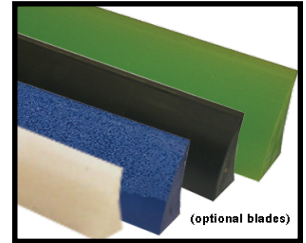


SABER SECONDARY® BELT CLEANER

- ✓ EZ Installation
- ✓ Low Maintenance
- ✓ Splice Safe
- ✓ Fast Delivery

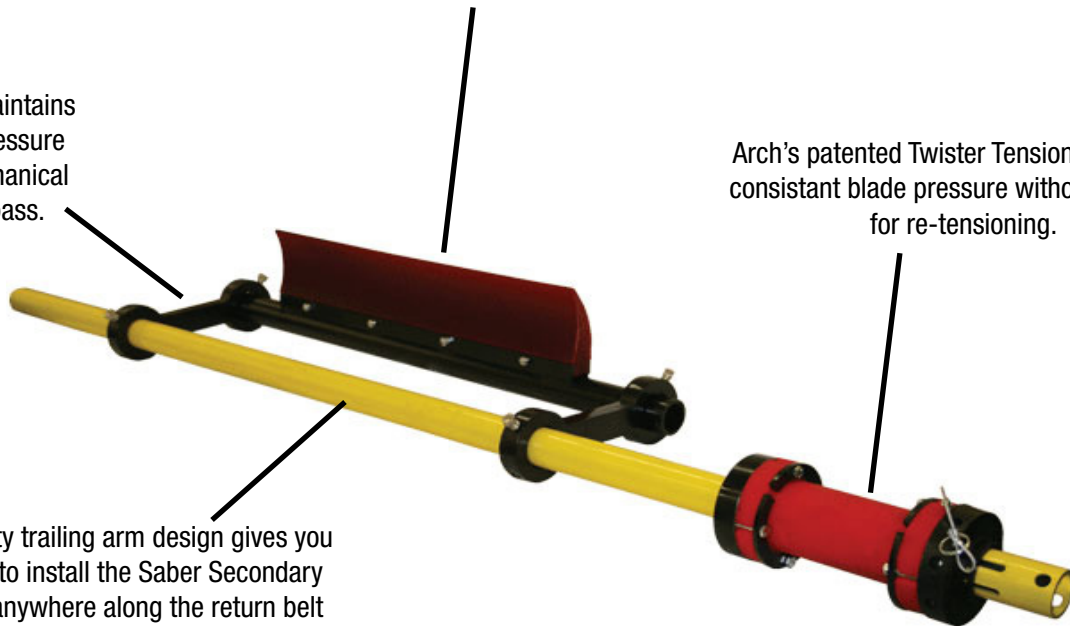


Polyurethane blade eliminates harmful carryback before it does any damage.

Cantilever design maintains constant blade pressure while allowing mechanical splices to safely pass.

Arch's patented Twister Tensioner insures constant blade pressure without the need for re-tensioning.

Heavy-duty trailing arm design gives you freedom to install the Saber Secondary Cleaner anywhere along the return belt line for incredible cleaning.



- Patented *Twister Tensioner*® maintains constant blade-to-belt pressure and its core is **GUARANTEED FOR LIFE!**
- Constant re-tensioning not required.
- Curved blade is extremely efficient on stubborn, tacky material.
- Increases life of belts and idlers by eliminating harmful carryback.
- Vertical installation is ideal for narrow spaces.
- Blade options include high-temperature, high-moisture, high-speed, and food-grade.



WHO IS ARCH ENVIRONMENTAL?

Manufacturer and worldwide distributor of preferred bulk conveyor components since 1975.



800.553.4567 www.archenv.com

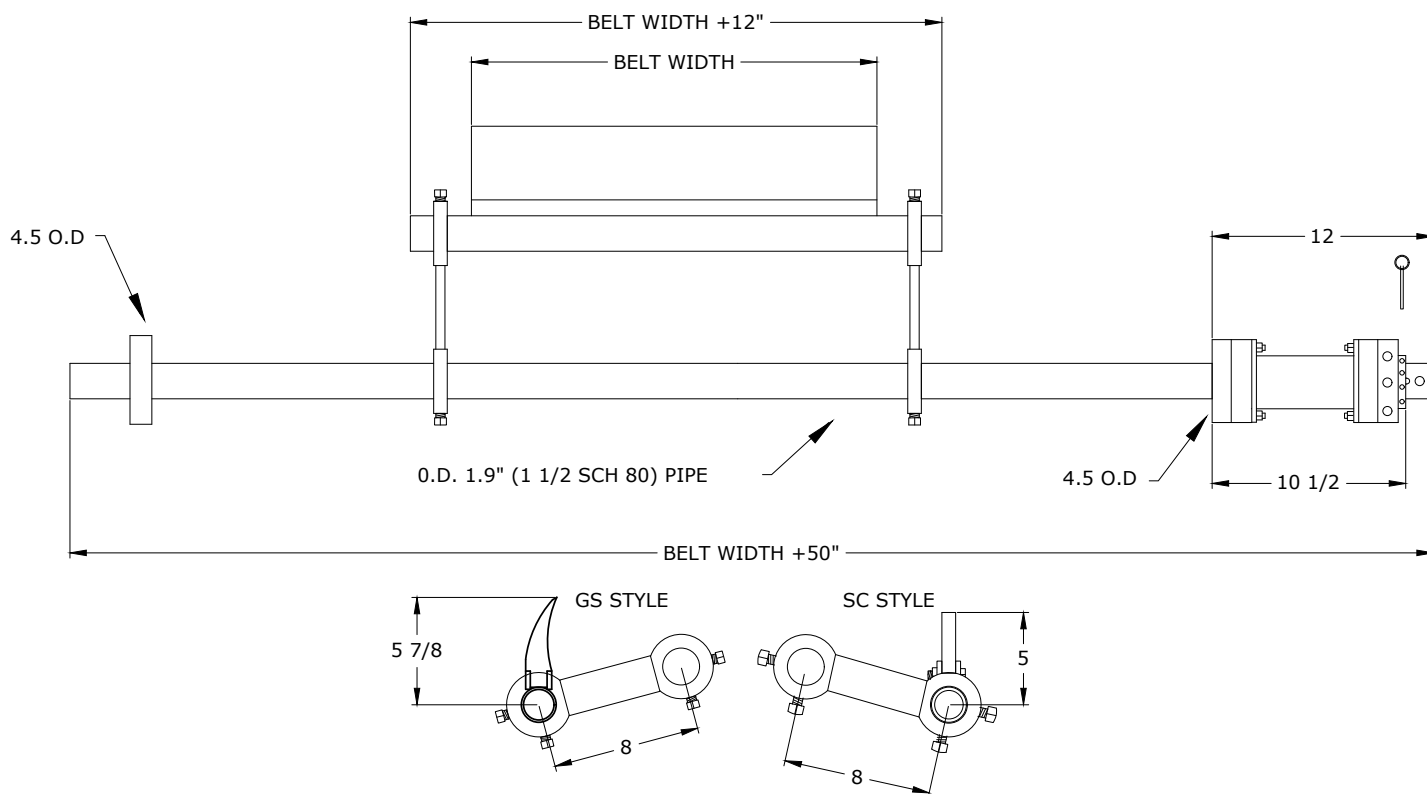
MECHANICAL DIVISION

Belt Cleaners • Belt Alignment • Sealing Systems
Dust Control Systems • Impact/Slider Systems

ELECTRICAL DIVISION

Belt Scales • Metal Detectors • Pull Cord Switches
Belt Protection Devices • Conveyor Control Systems

SABER SECONDARY[®] BELT CLEANER



<p>Standard Blades (RED) Temp Range: 180-220 F</p>	<p>High Temp Blades (GREEN) Temp Range: Up to 300 F</p>
<p>High-Moisture Blades (GRAY) Temp Range: 180-220 F 15%+ Moisture Content</p>	<p>Non-Pigment Blade (WHITE) Same as Standard Red Blades Ideal for color sensitive materials</p>
<p>Cermic Blades (BLUE) High Friction/High Speed 750+ ft/min.</p>	<p>Food Grade (NATURAL) FDA approved for mild contact with food products.</p>



Covered under one or more of the following patents:
4,202,437;4,231,471;4,436,446;4,489,823;4,533,036;4,779,716;4,877,125;
4,989,727;5,149,305;5,222,588;5,222,589;5,219,063;5,350,053;5,725,083
other patents pending

Note: If available, prices vary with options.