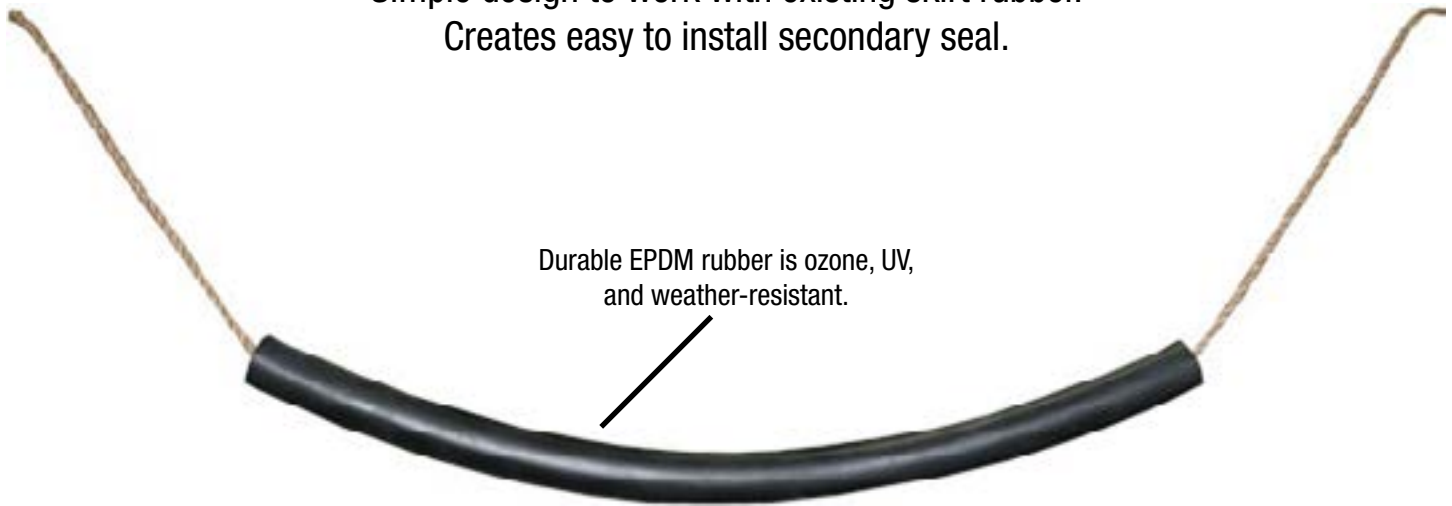


SECONDARY DUST SEAL[®]

- ✓ EZ Installation
- ✓ Low Maintenance
- ✓ Corrosion Resistant
- ✓ Fast Delivery

Simple design to work with existing skirt rubber.
Creates easy to install secondary seal.



- Simple and effective way to seal in fugitive dust.
- Works in unison with your existing skirt rubber to maximize sealing efficiency.
- Improves the effectiveness of your skirting by acting as a secondary barrier to harmful (and costly) spillage.
- Easily installed by tying each end of the rope.
- Maintenance free.
- Inexpensive way to improve sealing.
- Manual adjustments no needed.
- Wear-resistant EPDM rubber makes the Secondary Dust Seal virtually indestructible.



WHO IS ARCH ENVIRONMENTAL?

Manufacturer and worldwide distributor of preferred bulk conveyor components since 1975.



800.553.4567 www.archenv.com

MECHANICAL DIVISION

Belt Cleaners • Belt Alignment • Sealing Systems
Dust Control Systems • Impact/Slider Systems

ELECTRICAL DIVISION

Belt Scales • Metal Detectors • Pull Cord Switches
Belt Protection Devices • Conveyor Control Systems

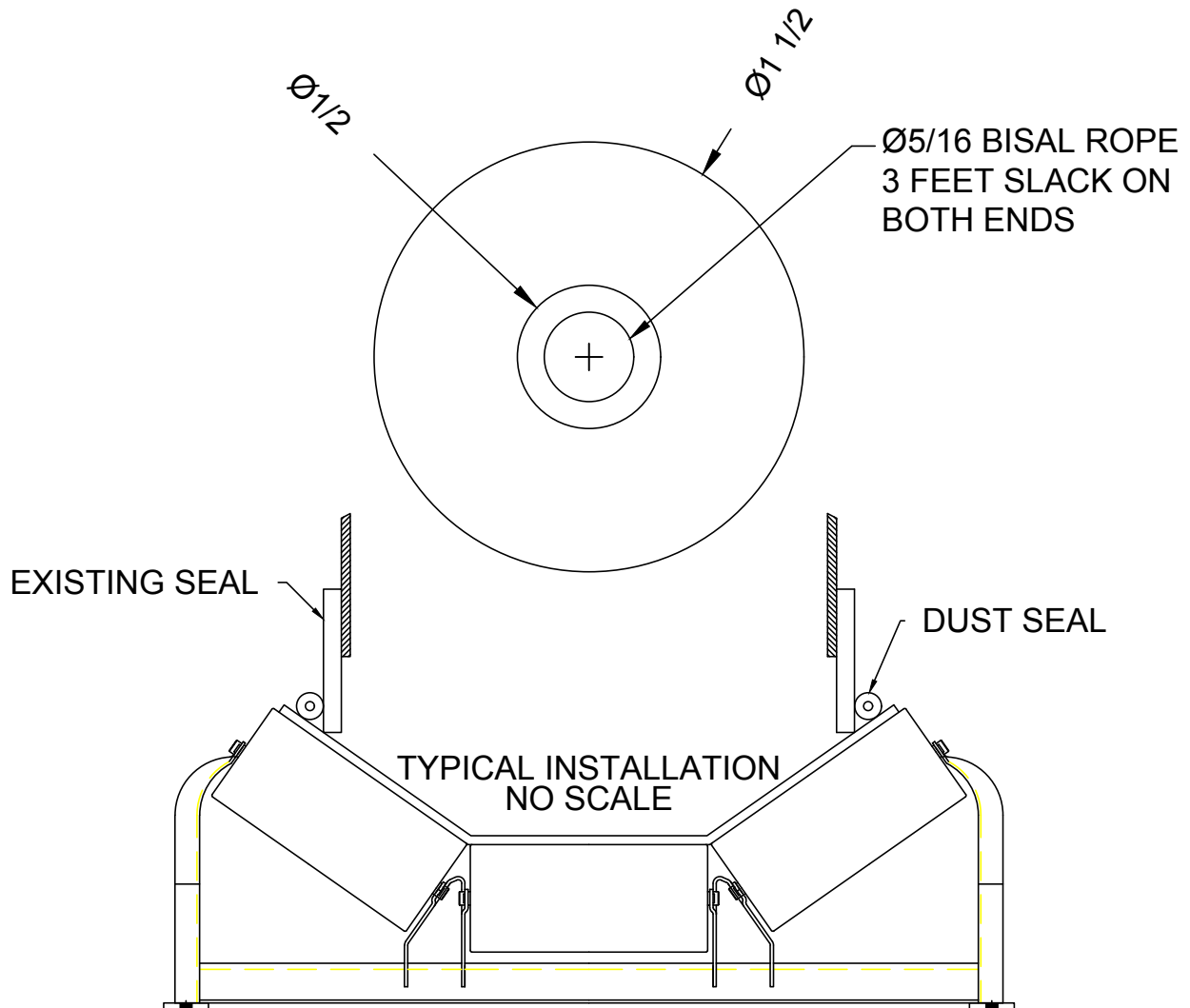
SECONDARY DUST SEAL®

TEMP. RANGE: -40C to +107C (225F) CONTINUOUS
+121C(+250F) SHORT TERM

MATERIAL: BLACK EPDM RUBBER
EXCELLENT RESISTANCE TO OZONE, UV, AND WEATHER
HARDNESS: 55-65 SHORE A

APPROXIMATE WEIGHT: 1.5 pounds per foot

SUPPLIED IN CONTINUOUS LENGTHS UP TO 350 FEET



Covered under one or more of the following patents:
4,202,437;4,231,471;4,436,446;4,489,823;4,533,036;4,779,716;4,877,125;
4,989,727;5,149,305;5,222,588;5,222,589;5,219,063;5,350,053;5,725,083
other patents pending



Note: If available, prices vary with options.