

TALON[®] SKIRT SEAL

- ✓ Simple to Install
- ✓ See for Yourself
- ✓ Low Maintenance
- ✓ Corrosion Resistant
- ✓ Fast Delivery

NEW 7.5" skirting height attaches to existing skirt clamp without any modification.

2" taller than original seal allows more clamp area.

Original 5.4" skirt seal.



Unique claw design provides multiple barriers to keep fugitive dust in while minimizing surface friction for longer belt life.



- Available in continuous lengths up to 200'.
- Wear-resistant EPDM rubber makes the Talon Dust Seal virtually indestructable.
- Talon seal made to withstand temperatures of up to 250 degrees.
- Ideal for Simplicity Impact & Slider Systems.
- Standard - MCS3
- Tall - MCS3-T



WHO IS ARCH ENVIRONMENTAL?

Manufacturer and worldwide distributor of preferred bulk conveyor components since 1975.



800.553.4567 www.archenv.com

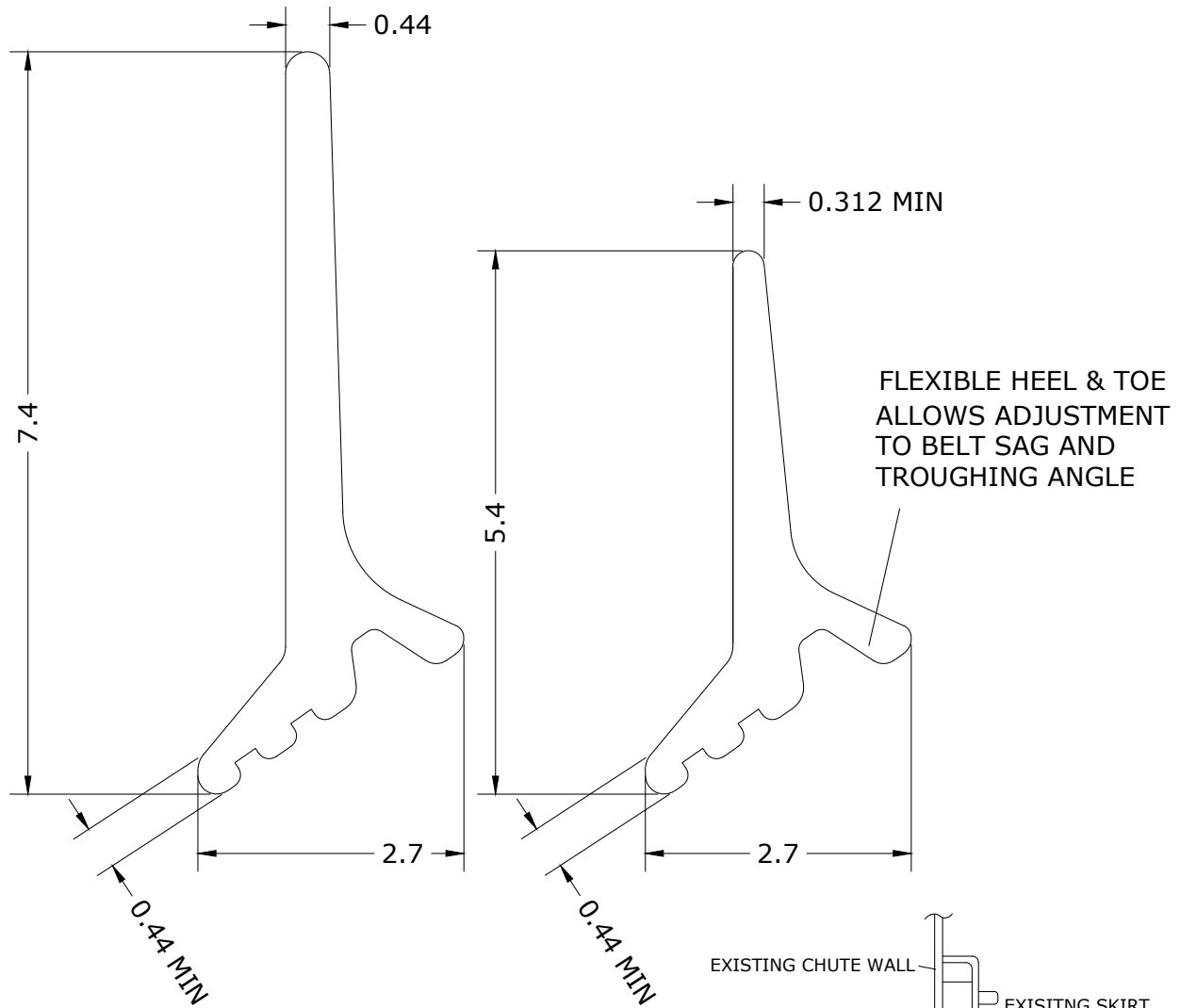
MECHANICAL DIVISION

Belt Cleaners • Belt Alignment • Sealing Systems
Dust Control Systems • Impact/Slider Systems

ELECTRICAL DIVISION

Belt Scales • Metal Detectors • Pull Cord Switches
Belt Protection Devices • Conveyor Control Systems

TALON® SKIRT SEAL

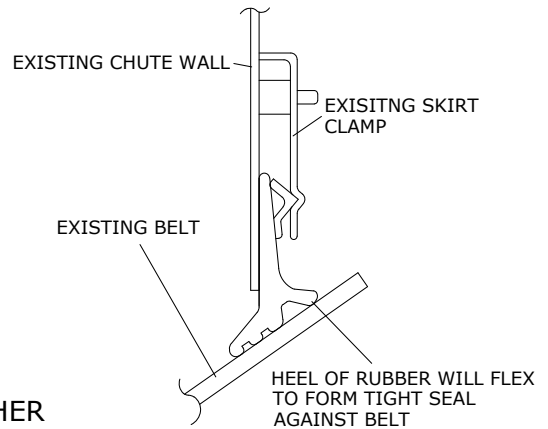


MATERIAL: BLACK EPDM RUBBER

HARDNESS: 65-75 SHORE A

TEMP. RANGE: -40C to +107C (225F) CONTINUOUS
+121C(+250F) SHORT TERM

EXCELLENT RESISTANCE TO OZONE, UV, AND WEATHER



Covered under one or more of the following patents:
4,202,437;4,231,471;4,436,446;4,489,823;4,533,036;4,779,716;4,877,125;
4,989,727;5,149,305;5,222,588;5,222,589;5,219,063;5,350,053;5,725,083
other patents pending



Note: If available, prices vary with options.