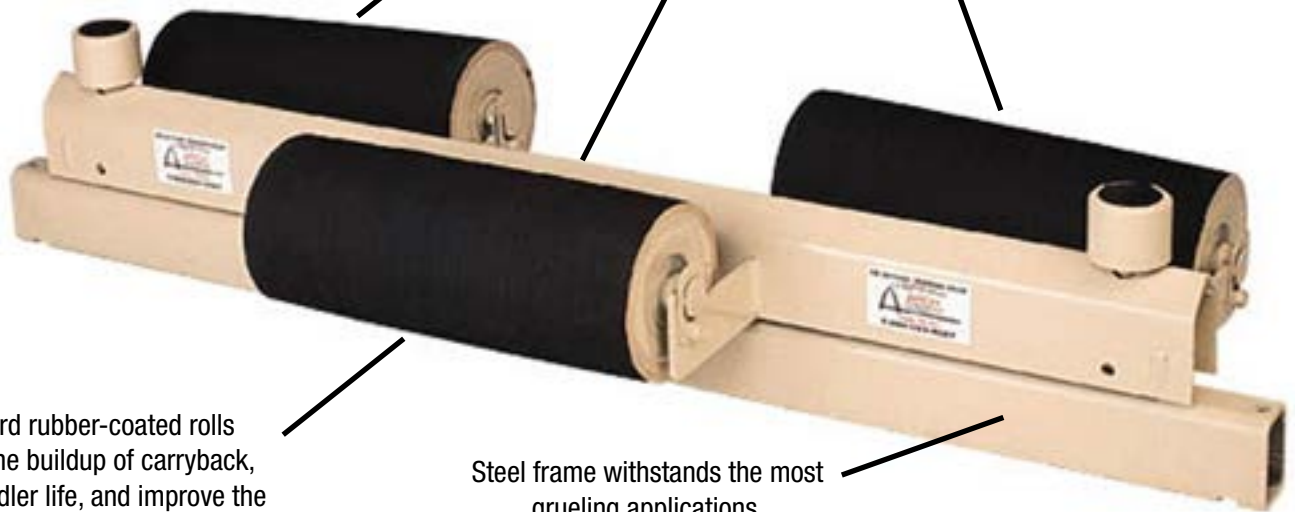


TRI-RETURN® TRAINING IDLER

- ✓ EZ Installation
- ✓ Low Maintenance
- ✓ Retrofit Available
- ✓ Fast Delivery
- ✓ Heavy-Duty
- ✓ Worksheet Required

Patented concave design of 3 rolls on a center pivot (2 outside rolls descending and center roll mounted horizontally) automatically corrects for misalignment and conforms to the full cup of your belt.



Standard rubber-coated rolls reduce the buildup of carryback, increase idler life, and improve the reaction time of the trainer.

Steel frame withstands the most grueling applications.



- The **Tri-Return Training Idler®** eliminates belt and structure damage caused by misalignment.
- Automatically adjusts misaligned belts by keeping belts aligned.
- Minimizes safety and health hazards associated with unstable material handling.
- The **Tri-Return Training idler** easily replaces your existing return idlers.
- Supports your belt with 6 bearings, instead of the normal 2, on a standard roll.
- Easy to install and virtually maintenance-free.
- Optional ceramic disk rolls are available.
- A super-duty option is available.



WHO IS ARCH ENVIRONMENTAL?

Manufacturer and worldwide distributor of preferred bulk conveyor components since 1975.



800.553.4567 www.archenv.com

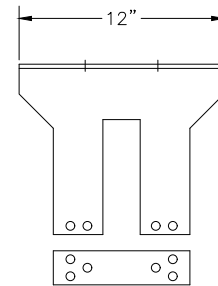
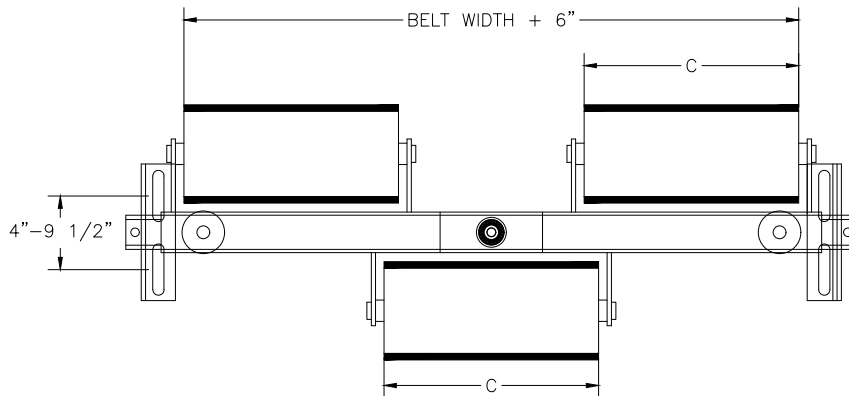
MECHANICAL DIVISION

Belt Cleaners • Belt Alignment • Sealing Systems
Dust Control Systems • Impact/Slider Systems

ELECTRICAL DIVISION

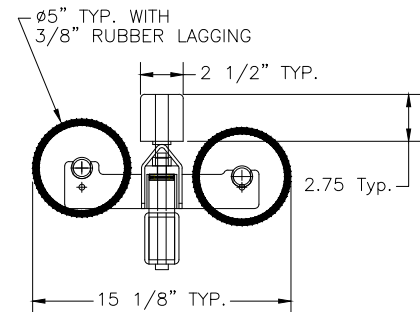
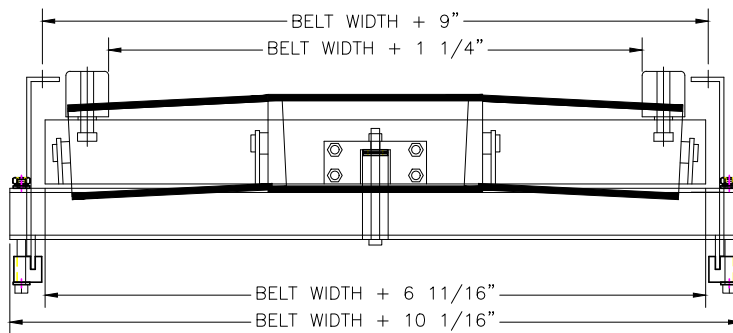
Belt Scales • Metal Detectors • Pull Cord Switches
Belt Protection Devices • Conveyor Control Systems

TRI-RETURN® TRAINING IDLER



1" ADJUSTABLE DROP HANGER FOR DROPS HEIGHTS OF 4"-5"

SPECIAL BRACKETS CAN BE MADE TO ACCOMMODATE ANY APPLICATION



SIDE VIEW SHOWN OF SA MODEL WITH DROP HANGER REMOVED

BELT WIDTH	TRI-RETURN (SELF-ALIGNING) BELT TRAINING IDLER						PART NUMBER
	A	B	C	D	E	ALL DIMENSIONS IN INCHES (METRIC AVAILABLE UPON REQUEST)	
24	30	37 1/16	10 9/16	33	32 11/16	MTR024024SARC500000000	
30	36	43 1/16	12 9/16	39	38 11/16	MTR030030SARC500000000	
36	42	49 1/16	14 9/16	45	44 11/16	MTR036036SARC500000000	
42	48	55 1/16	16 9/16	51	50 11/16	MTR042042SARC500000000	
48	54	61 1/16	18 9/16	57	56 11/16	MTR048048SARC500000000	
54	60	67 1/16	20 9/16	63	62 11/16	MTR054054OSRC500000000	
60	66	73 1/16	22 9/16	69	68 11/16	MTR060060OSRC500000000	
66	72	79 1/16	24 9/16	75	74 11/16	MTR066066OSRC500000000	
72	78	85 1/16	26 9/16	81	80 11/16	MTR072072OSzRC500000000	

OPTIONS

- CERAMIC DISK ROLLS (MADE TO ORDER ONLY)
- HEAVY DUTY (CONSULT FACTORY FOR DIMENSIONS)
- 4" AND 6" LONG GUIDE ROLLERS
- OUTER SUPPORT ROLLER
- VARIOUS CEMA RATINGS & ROLL DIAMETERS

Covered under one or more of the following patents:
 4,202,437;4,231,471;4,436,446;4,489,823;4,533,036;4,779,716;4,877,125;
 4,989,727;5,149,305;5,222,588;5,222,589;5,219,063;5,350,053;5,725,083
 other patents pending



Note: If available, prices vary with options.