

WYATT ALIGNMENT DISKS®

- ✓ EZ Installation
- ✓ Low Maintenance
- ✓ Fast Delivery
- ✓ Corrosion Resistant

Highly durable and non-abrasive polyurethane keeps your belts on track without premature wear-and-tear.



Provides a barrier at the end of idler rolls to force belt centering.



- **Wyatt Alignment Disks®** can easily be installed on carry and return idlers.
- Helps guard against belt misalignment on lightweight belts caused by wind gusts, off centered surge loading, etc.
- Eliminates belt damage and spillage caused by misalignment.
- Available for 4", 5", and 6" roll diameters.
- Available for 9" OD troughing idlers.
- Available for 9" and 12" OD return idlers.
- Effectively contains belts up to 42" wide and 3/8" thick.
- maintenance-free solution to a potentially expensive problem.



WHO IS ARCH ENVIRONMENTAL?

Manufacturer and worldwide distributor of preferred bulk conveyor components since 1975.



800.553.4567 www.archenv.com

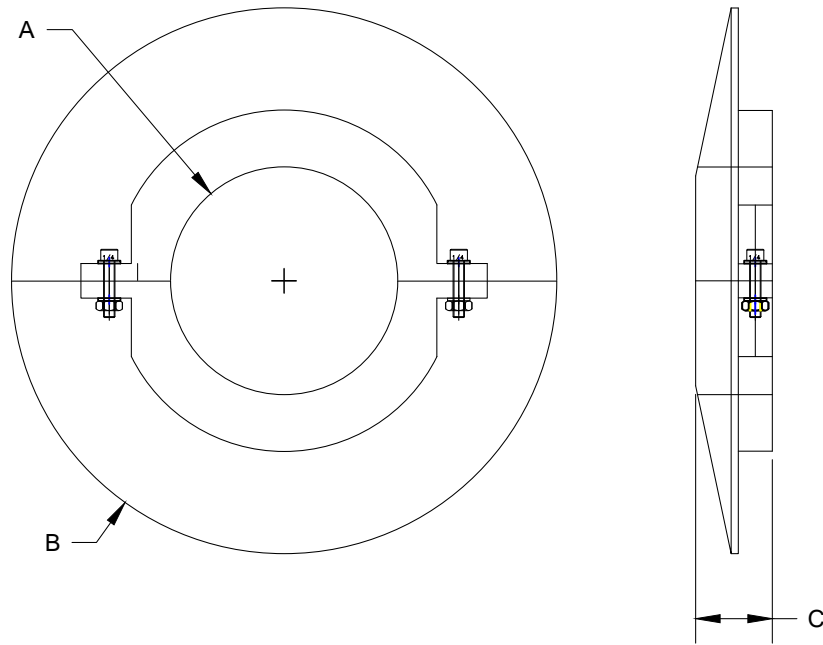
MECHANICAL DIVISION

Belt Cleaners • Belt Alignment • Sealing Systems
Dust Control Systems • Impact/Slider Systems

ELECTRICAL DIVISION

Belt Scales • Metal Detectors • Pull Cord Switches
Belt Protection Devices • Conveyor Control Systems

WYATT ALIGNMENT DISKS®



IDLER O.D.	WYATT DISKS (BELT ALIGNER)			
	ALL DIMENSIONS IN INCHES (METRIC AVAILABLE UPON REQUEST)			
	A	B	C	ORDER #
4 1/2	4 1/2	9	1 11/16	MDK4.50900
4 1/2	4 1/2	12	1 11/16	MDK4.51200
4	4	9	1 11/16	MDK0040900
4	4	12	1 11/16	MDK0041200
5	5	9	1 11/16	MDK0050900
5	5	12	1 11/16	MDK0051200
6	6	9	1 9/16	MDK0060900
6	6	12	1 9/16	MDK0061200

THE FOLLOWING OPTIONS ARE AVAILABLE:
ADD THE SELECTED OPTION TO THE ORDER #

-WH : WHITE DISK

-SS : STAINLESS FASTENERS

Covered under one or more of the following patents:
4,202,437;4,231,471;4,436,446;4,489,823;4,533,036;4,779,716;4,877,125;
4,989,727;5,149,305;5,222,588;5,222,589;5,219,063;5,350,053;5,725,083
other patents pending



Note: If available, prices vary with options.