

Simplicity Impact System Worksheet

Please fill out a photocopy and fax to Arch Environmental Equipment at 800-230-9462. This worksheet is required before orders can be processed to insure proper installation.

Existing Idler Dimensions

Company: _____ Date: _____

Address: _____

City: _____ State: _____ Zip: _____

Phone: _____ Fax: _____

Contact: _____ Project: _____

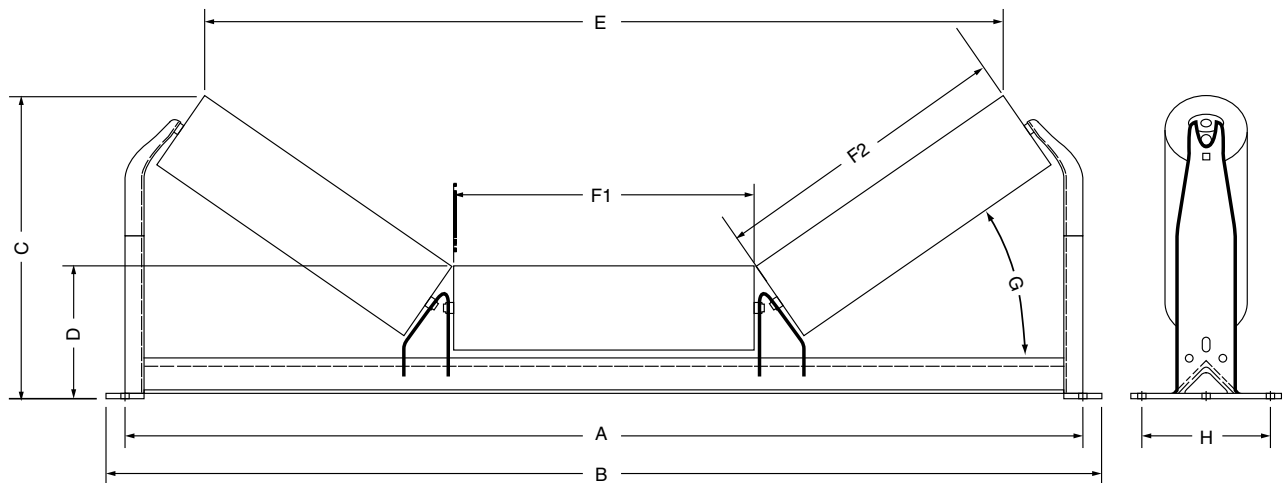
Conveyor Data

Material Size: _____ Belt Speed: _____

Material Conveyed: _____ Length of Impact Area: _____

Drop Distance: _____ Conveyor Length: _____

Rate (TPH): _____



Dimensions:

A. Bolt Centers: _____

B. Outside Framework: _____

C. Height: _____

D. Height: _____

E. Width: _____

F1. Length: _____

F2. Length: _____

G. Troughing Degree: _____

H. Bolt Centers: _____

Idler Manufacturer: _____

Model Number: _____

Belt Width: _____