

BELT SCALE WORKSHEET

**This worksheet is required for quotations and is needed before orders can be processed.
Please fill out a photocopy and fax to Arch Environmental Equipment at 800-230-9462.**

Company: _____ Date: _____

Address: _____

City: _____ State: _____ Zip: _____

Phone: _____ Fax: _____

Contact: _____ Project: _____

Conveyor Data (Conveyor Number: _____)

Material Conveyed: _____ Operational Temperature Range: _____

Material Type: Wet Dry What Operation is Taking Place? Mining Plastics Timber Other

Material Density: _____ (weight per cubic foot - approximate) _____

Belt Width: _____ Belt Type (Brand/Model): _____

Belt Speed: _____ Fixed Variable Belt Length: _____

Tons per Hour: Max _____ Long Short Metric

Conveyor Angle or Rise per Foot: _____ Take-Up Type: _____

Power Available at Installation Point: 115 VAC 220 VAC 50 HZ 60 HZ

Optional Signal Output 4-20 mA, Pulse: _____ Enclosure: NEMA 9 NEMA 12

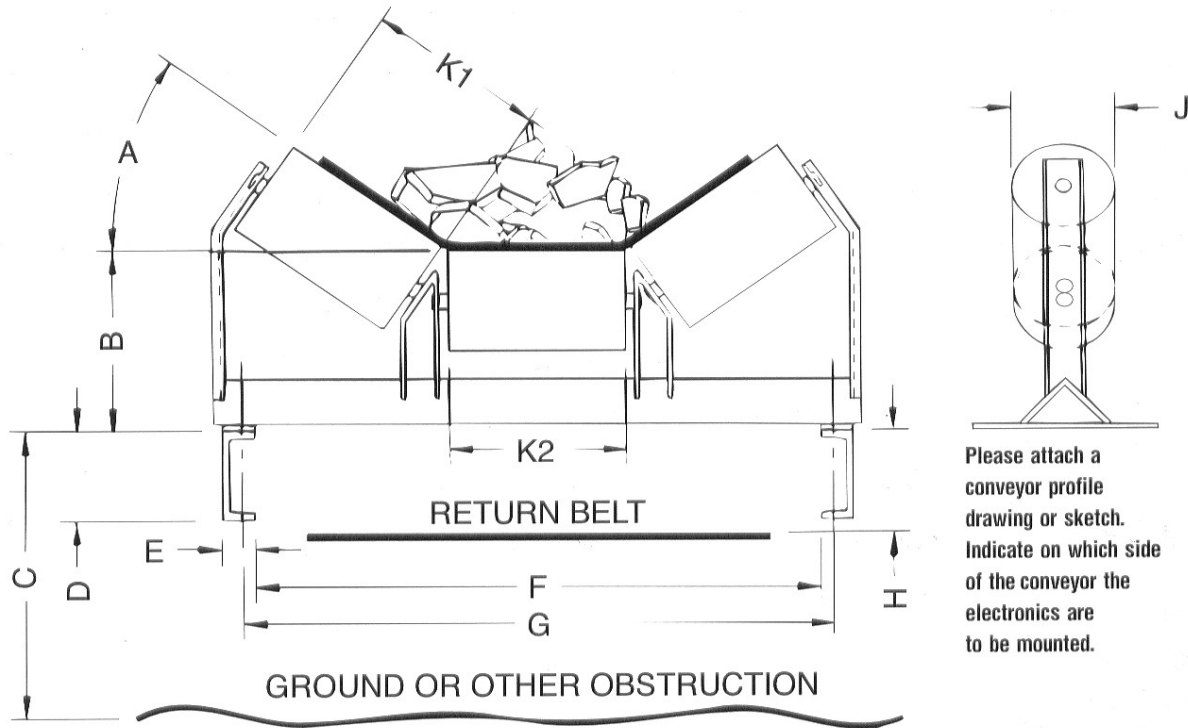
Spacing Between Idlers in Scale Area: _____ Factory Modified

Distance Between Scale & Integrator: _____

Is Conveyor Designed to Move or Shift in Any Way? ___ Yes ___ No If So, How _____

BELT SCALE WORKSHEET

(Continued) Page 2



Please attach a conveyor profile drawing or sketch. Indicate on which side of the conveyor the electronics are to be mounted.

Idler Type:

- Troughing
- Picking/Feeder
- Rigid Mine
- Wire Rope
- Catenary

Scale Placement:

- Above Ground
- Below Ground

Options:

- Remote Display
- Chart Recorder
- Graphic Remote
- HP Scale (1/2% acc.)
- SC Scale (1-2% acc.)
- PC Software Package
- LD Display
- Large Display

A) Troughing Angle: _____ G) Bolt Hole Centers: _____

B) Center Roll Height: _____ H) Clearance to Belt: _____

C) Ground Clearance: _____ J) Roller Diameter: _____

D) Stringer Height: _____ CEMA Rating: _____

E) Flange Width: _____ K1) Wing Roll Length: _____

F) Structure Clearance: _____ K2) Center Roll Length: _____

Idler Manufacturer: _____

Special Operation Conditions:

Products contained in this PDF 2005 product guide are covered under one or more of the following patents: 4,202,437, 4,231,471, 4,436,446, 4,489,823, 4,533,036, 4,779,716, 4,877,125, 4,989,727, 5,149,305, 5,222,588, 5,222,589, 5,219,063, 5,350,053, 5,725,083, other patents pending.