

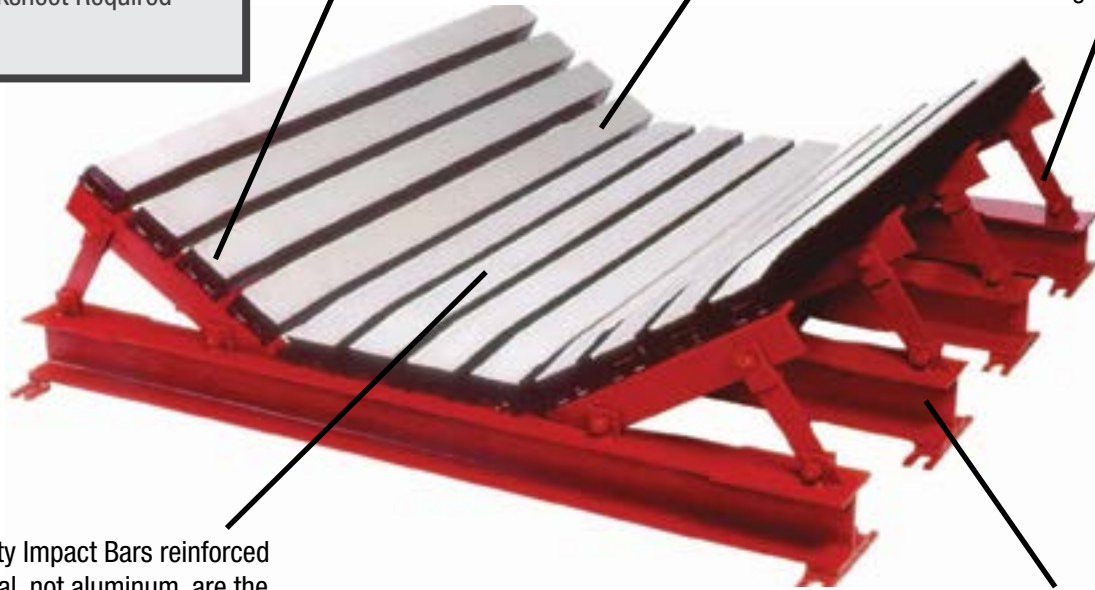
# SIMPLICITY IMPACT SYSTEM®

- ✓ EZ Installation
- ✓ Low Maintenance
- ✓ Retrofit Available
- ✓ Fast Delivery
- ✓ Super-Duty
- ✓ Worksheet Required

Reduces downtime for installation and replacement with Simplicity 'T-Bolt' engineering.

UHMW material bonded to shock absorbing 60 durameter rubber minimizes friction between your belt and idler bars.

Steel wing brackets are removable in 35 degree and 45 degree systems.



Simplicity Impact Bars reinforced with steel, not aluminum, are the most durable on the market.

Heavy I-Beam construction minimizes damage to idler stands from heavy loads.



- **Simplicity Impact Systems®** eliminate spillage at transfer points.
- Provides maximum support along the length and width of loading zones.
- Optimum belt support between idlers helps reduce belt damage.
- Increased idler life, decreased cleanup costs, reduced belt wear, and improved safety are direct results of Simplicity Impact Systems.
- Available in heavy-, medium-, and light-duty options.
- Custom-fit to your conveyor structure.
- Simple 'Bolt-in-Place' installation.



## WHO IS ARCH ENVIRONMENTAL?

Manufacturer and worldwide distributor of preferred bulk conveyor components since 1975.



800.553.4567 [www.archenv.com](http://www.archenv.com)

## MECHANICAL DIVISION

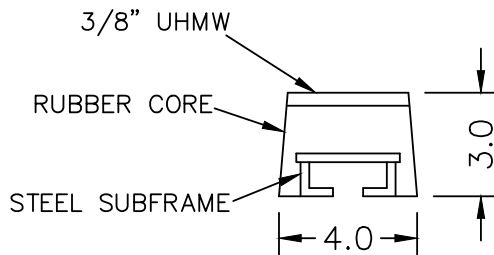
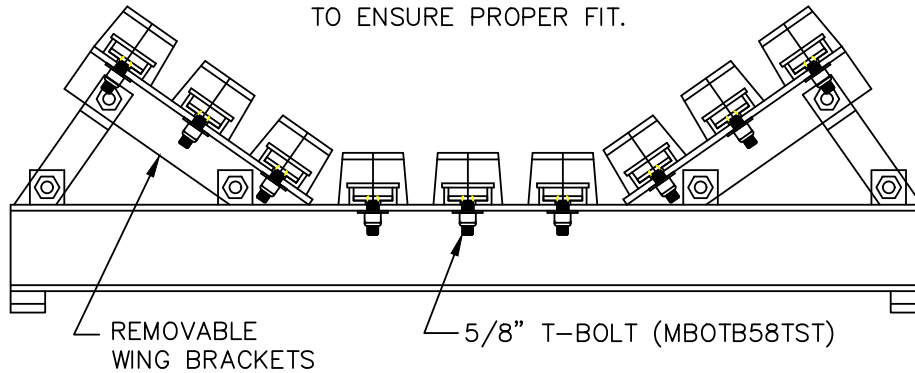
Belt Cleaners • Belt Alignment • Sealing Systems  
Dust Control Systems • Impact/Slider Systems

## ELECTRICAL DIVISION

Belt Scales • Metal Detectors • Pull Cord Switches  
Belt Protection Devices • Conveyor Control Systems

# SIMPLICITY IMPACT SYSTEM®

ALL IMPACT SYSTEMS ARE CUSTOM BUILT TO CUSTOMER SPECIFICATIONS TO ENSURE PROPER FIT.



BAR LENGTH	SIMPLICITY IMPACT BARS
	ORDER #
4 ft.	MIPIB0480400ST
5 ft.	MIPIB0600400ST
6 ft.	MIPIB0720400ST

SIMPLICITY ROLLER REPLACEMENT INSERTS ARE CUSTOM MANUFACTURED TO MATCH THE EXISTING ROLLERS IN THE IDLER STANDS

BELT WIDTH	SIMPLICITY IMPACT REPLACEMENT STANDS ORDER #
24	MIPIS024**06ST
30	MIPIS030**06ST
36	MIPIS036**09ST
42	MIPIS042**09ST
48	MIPIS042**09ST
54	MIPIS054**12ST
60	MIPIS060**12ST
72	MIPIS072**15ST
84	MIPIS084**18ST
96	MIPIS096**20ST

\*\* : TROUGH ANGLE

COMPLETE IMPACT SYSTEM PART NUMBERS ORDERING INFORMATION						
MSI	*	***	**	**	***	*
STAND QUANTITY	BELT WIDTH	BAR QUANTITY	TROUGH ANGLE	BED LENGTH	OPTIONS	
3	24	6	00	48IN	P: PICKING	
4	30	6	20	60IN	W: WIDE BASE	
	36	9	35	72IN	ECT.	
	42	9	45			
	48	9				
	54	12				
	60	12				
	72	15				
	84	18				
	96	20				

EXAMPLE: MSI404809350480

Covered under one or more of the following patents:  
 4,202,437;4,231,471;4,436,446;4,489,823;4,533,036;4,779,716;4,877,125;  
 4,989,727;5,149,305;5,222,588;5,222,589;5,219,063;5,350,053;5,725,083  
 other patents pending



Note: If available, prices vary with options.