

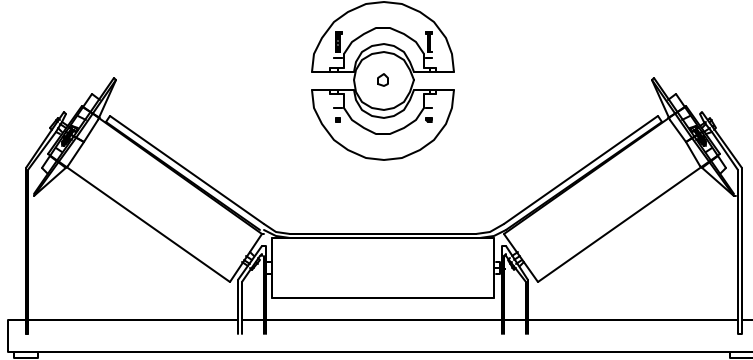
# Arch Environmental Equipment, Inc.

## WYATT ALIGNMENT DISK

### INSTALLATION INSTRUCTIONS

TOOLS NEEDED:  
ADJUSTABLE WRENCH OR SOCKET WRENCH FOR ½" HEX (5/16-18 BOLT)  
TAPE MEASURE OR EQUIVALENT (OPTIONAL)

***SHUT DOWN AND LOCKOUT CONVEYOR BEFORE  
PERFORMING ANY MAINTENANCE***



#### **STEP 1**

Disassemble the Wyatt Alignment Disk(s). There should be two halves of the disk, two assembly bolts and two nylon insert lock nuts (washers may also be included).

#### **STEP 2**

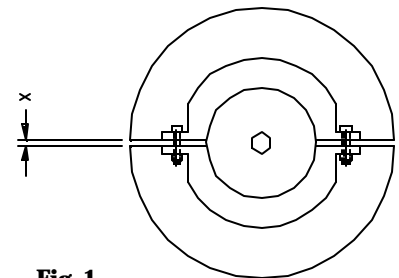
Locate the alignment disk on the roller approximately ½" to 1" away from the edge of the belt (the disk may be mounted closer if needed). First put one half of the disk on the roller (it should be a snug fit). Next, place the second half of the disk just opposite of the first half. Now, line up the mounting holes and insert the assembly bolts. After the bolts are in place, apply the lock nuts and tighten to a snug fit.

#### **STEP 3**

Check the installation of the disk. There may be a small gap (dimension "X", fig.1) between the two halves (this is normal).

#### **STEP 4**

After checking the installation, test run the belt to ensure that the disk(s) do not slip off the rolls during operation. That's it!!



**Fig. 1**

