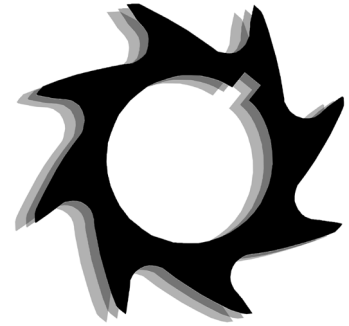
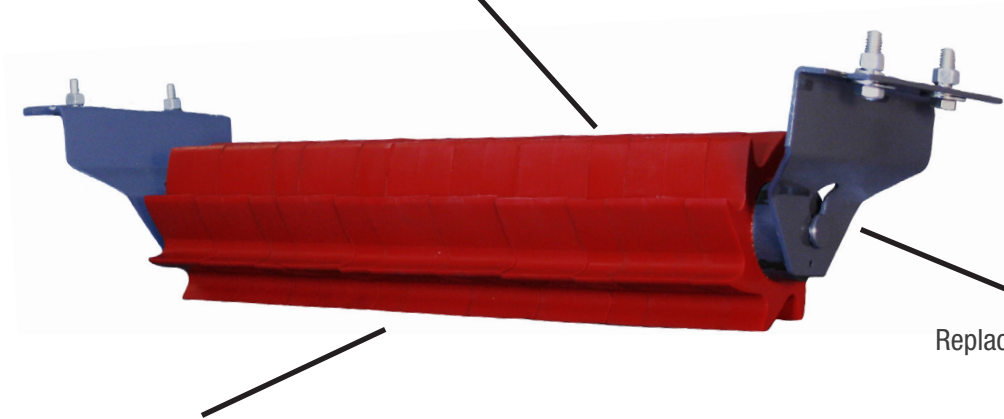


# SABER ROLLER® SECONDARY CLEANER

- ✓ Simple Installation
- ✓ Low Maintenance
- ✓ Fast Delivery
- ✓ Heavy-Duty



Proprietary blade design functions both as rotary scraper and a vibratory roller.



Replaces standard return idler

Long lasting urethane blade provides incredible roller life



- Functions on all belt surfaces including cleated, textured, and general poor condition
- Mechanical splice "friendly"
- Reduces carryback and buildup on return idlers
- Self-cleaning design eliminates material build up
- Works with reversible conveyor belts
- Available in both standard roll and heavy duty "live shaft" design
- No power source required (conveyor belt driven)



## WHO IS ARCH ENVIRONMENTAL?

Manufacturer and worldwide distributor of preferred bulk conveyor components since 1975.



800.553.4567 [www.archenv.com](http://www.archenv.com)

## MECHANICAL DIVISION

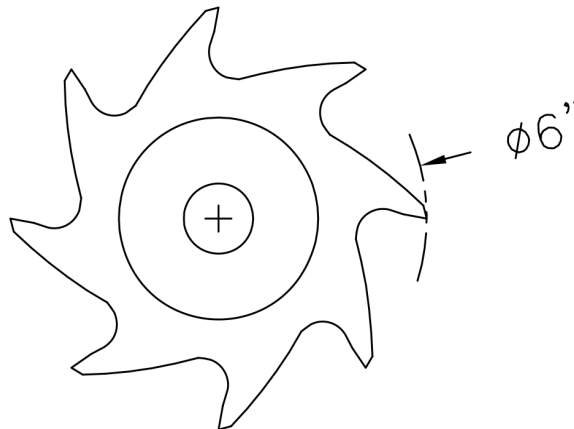
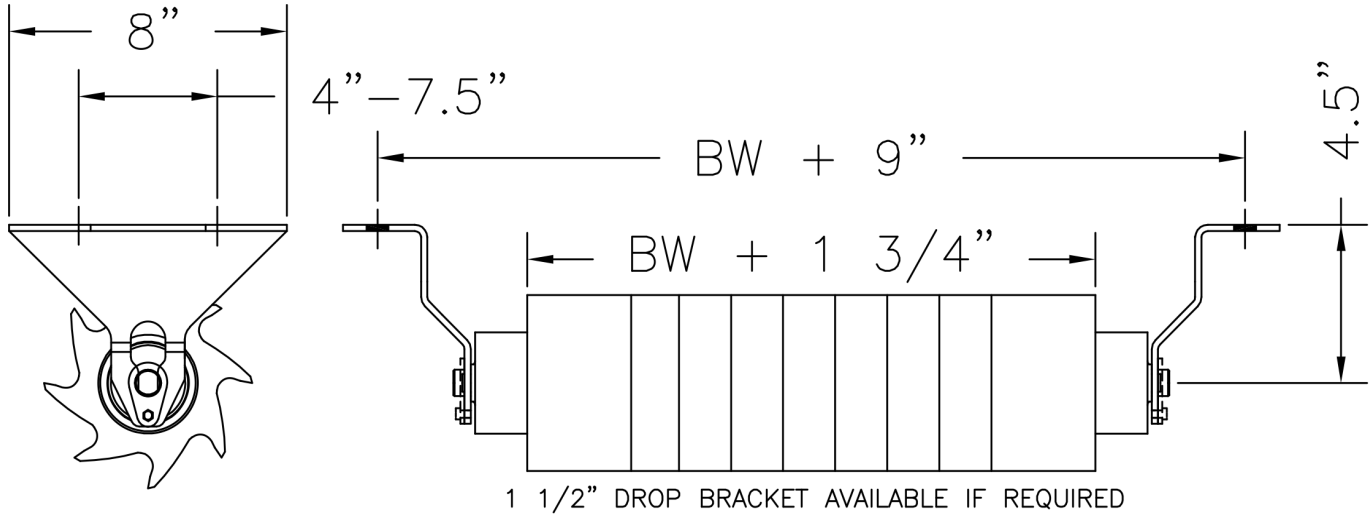
Belt Cleaners • Belt Alignment • Sealing Systems  
Dust Control Systems • Impact/Slider Systems

## ELECTRICAL DIVISION

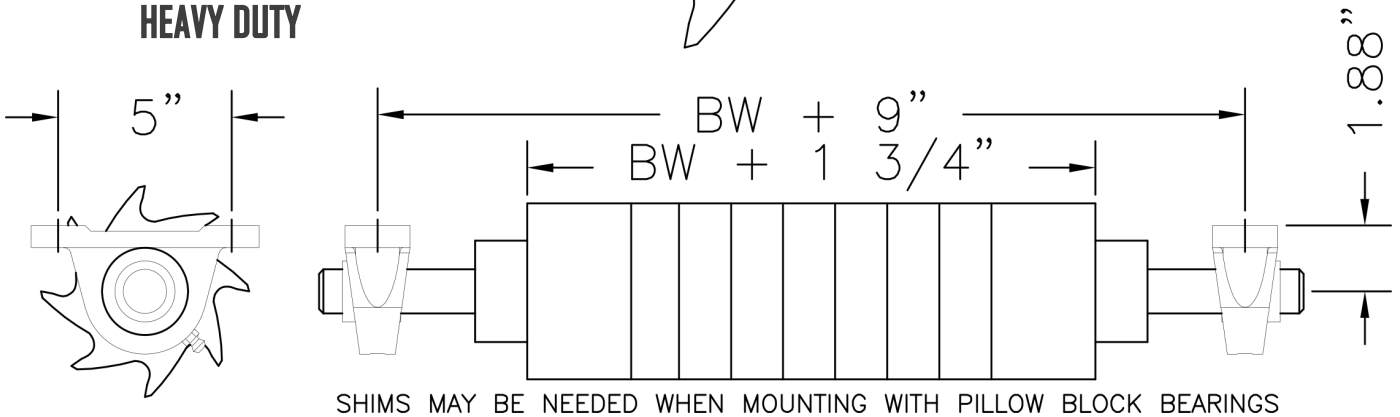
Belt Scales • Metal Detectors • Pull Cord Switches  
Belt Protection Devices • Conveyor Control Systems

# SABER ROLLER® SECONDARY CLEANER

## STANDARD DUTY



## HEAVY DUTY



Arch Products are manufactured under one or more of the following patents: 4,202,437; 4,231,471; 4,436,446; 4,489,823; 4,533,036; 4,779,716; 4,877,125; 4,989,727; 5,149,305; 5,222,588; 5,222,589; 5,219,063; 5,350,053; 5,725,083, other patents pending



**Note:** If available, prices vary with options.