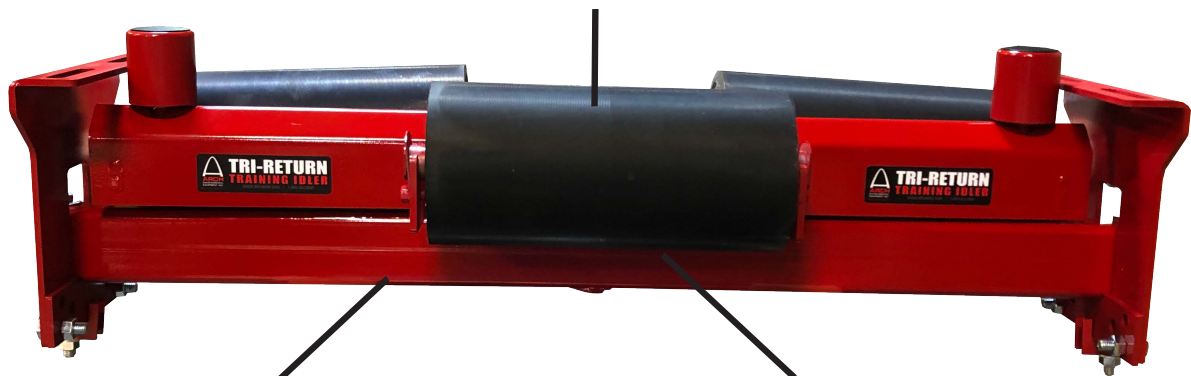


TRI-RETURN® TRAINING IDLER

- ✓ Simple Installation
- ✓ Low Maintenance
- ✓ Retrofit Available
- ✓ Fast Delivery
- ✓ Heavy-Duty
- ✓ Worksheet Required

Patented concave design of 3 rolls on a center pivot (2 outside rolls descending and center roll mounted horizontally) automatically corrects for misalignment and conforms to the full cup of your belt.



Steel frame withstands the most grueling applications.

Standard rubber-coated rolls reduce the buildup of carryback, increase idler life, and improve the reaction time of the trainer.



- The **Tri-Return Training Idler**® eliminates belt and structure damage caused by misalignment.
- Minimizes safety and health hazards associated with unstable material handling.
- The **Tri-Return Training Idler** easily replaces your existing return idlers.
- Supports your belt with 6 bearings, instead of the normal 2, on a standard roll.
- Easy to install and virtually maintenance-free.
- Optional ceramic disk rolls are available.
- A super-duty option is available.



WHO IS ARCH ENVIRONMENTAL?

Manufacturer and worldwide distributor of preferred bulk conveyor components since 1975.



800.553.4567 www.archenv.com

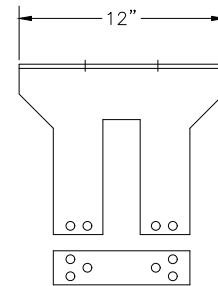
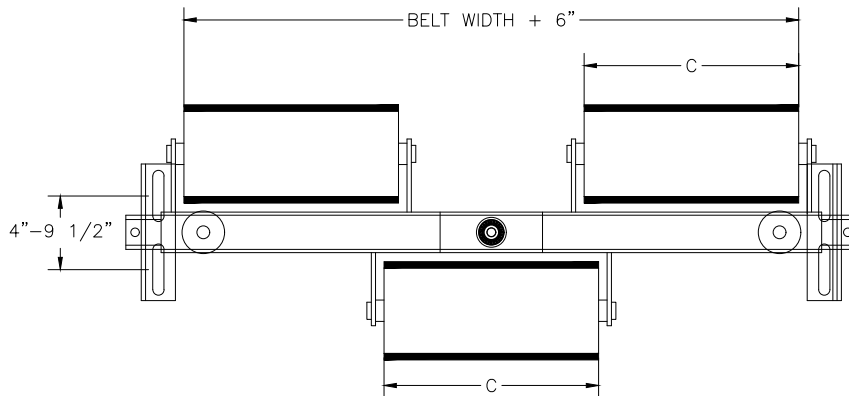
MECHANICAL DIVISION

Belt Cleaners • Belt Alignment • Sealing Systems
Dust Control Systems • Impact/Slider Systems

ELECTRICAL DIVISION

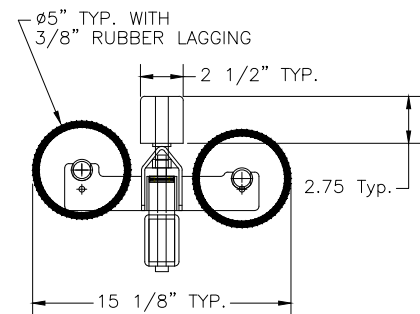
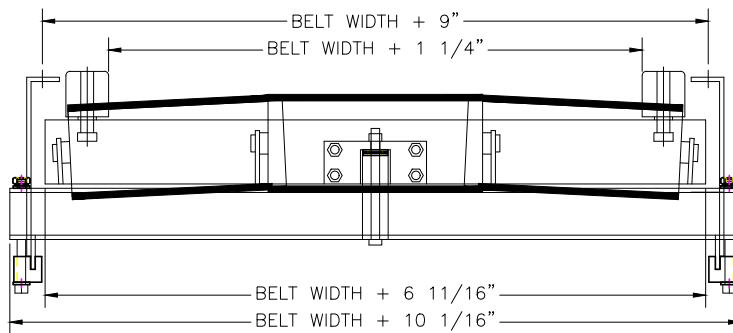
Belt Scales • Metal Detectors • Pull Cord Switches
Belt Protection Devices • Conveyor Control Systems

TRI-RETURN® TRAINING IDLER



1" ADJUSTABLE DROP HANGER FOR DROPS HEIGHTS OF 4"-5"

SPECIAL BRACKETS CAN BE MADE TO ACCOMMODATE ANY APPLICATION



SIDE VIEW SHOWN OF SA MODEL WITH DROP HANGER REMOVED

| BELT WIDTH | TRI-RETURN (SELF-ALIGNING) BELT TRAINING IDLER | | | | | | PART NUMBER |
|------------|--|---------|---------|----|----------|------------------------|-------------|
| | ALL DIMENSIONS IN INCHES (METRIC AVAILABLE UPON REQUEST) | | | | | | |
| | A | B | C | D | E | | |
| 24 | 30 | 37 1/16 | 10 9/16 | 33 | 32 11/16 | MTR024024SARC500000000 | |
| 30 | 36 | 43 1/16 | 12 9/16 | 39 | 38 11/16 | MTR030030SARC500000000 | |
| 36 | 42 | 49 1/16 | 14 9/16 | 45 | 44 11/16 | MTR036036SARC500000000 | |
| 42 | 48 | 55 1/16 | 16 9/16 | 51 | 50 11/16 | MTR042042SARC500000000 | |
| 48 | 54 | 61 1/16 | 18 9/16 | 57 | 56 11/16 | MTR048048SARC500000000 | |
| 54 | 60 | 67 1/16 | 20 9/16 | 63 | 62 11/16 | MTR054054OSRC500000000 | |
| 60 | 66 | 73 1/16 | 22 9/16 | 69 | 68 11/16 | MTR060060OSRC500000000 | |
| 66 | 72 | 79 1/16 | 24 9/16 | 75 | 74 11/16 | MTR066066OSRC500000000 | |
| 72 | 78 | 85 1/16 | 26 9/16 | 81 | 80 11/16 | MTR072072OSRC500000000 | |

OPTIONS

- CERAMIC DISK ROLLS (MADE TO ORDER ONLY)
- HEAVY DUTY (CONSULT FACTORY FOR DIMENSIONS)
- 4" AND 6" LONG GUIDE ROLLERS
- OUTER SUPPORT ROLLER
- VARIOUS CEMA RATINGS & ROLL DIAMETERS

Covered under one or more of the following patents:
 4,202,437;4,231,471;4,436,446;4,489,823;4,533,036;4,779,716;4,877,125;
 4,989,727;5,149,305;5,222,588;5,222,589;5,219,063;5,350,053;5,725,083
 other patents pending



Note: If available, prices vary with options.