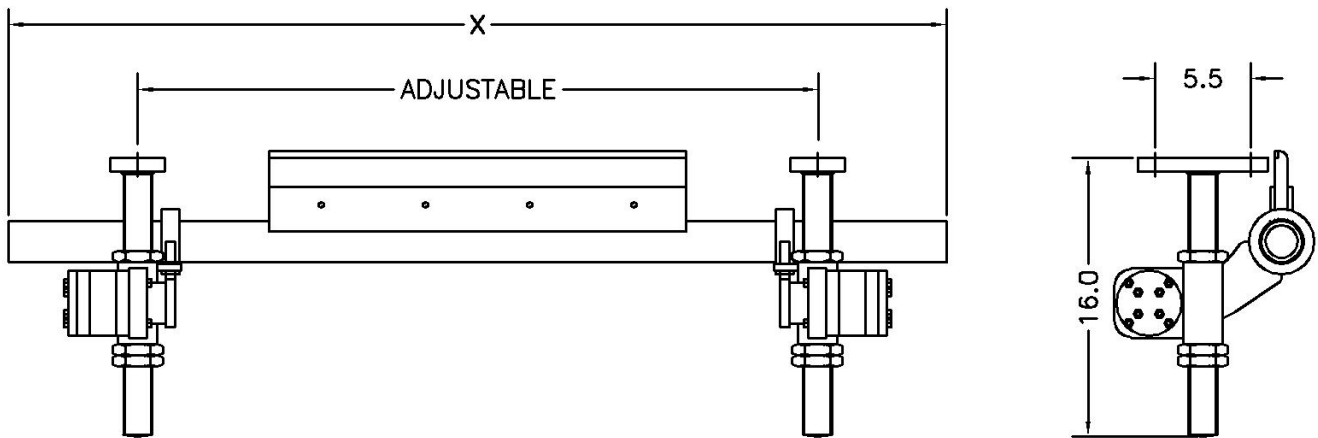
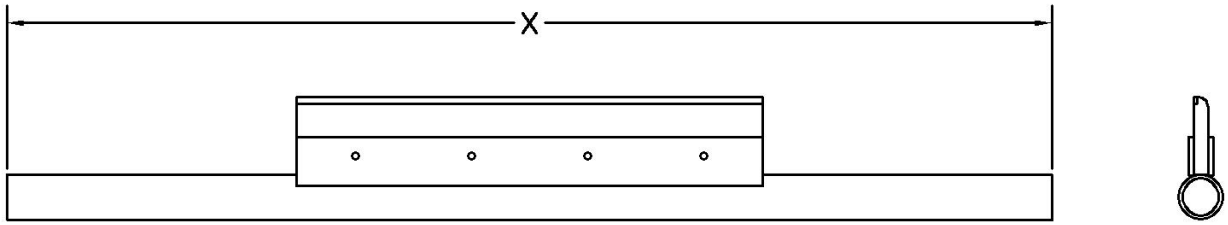




# RGS SECONDARY<sup>®</sup> BELT CLEANER



Covered under one or more of the following patents:  
4,202,437;4,231,471;4,436,446;4,489,823;4,533,036;4,779,716;4,877,125;  
4,989,727;5,149,305;5,222,588;5,222,589;5,219,063;5,350,053;5,725,083  
other patents pending



**Note:** If available, prices vary with options.