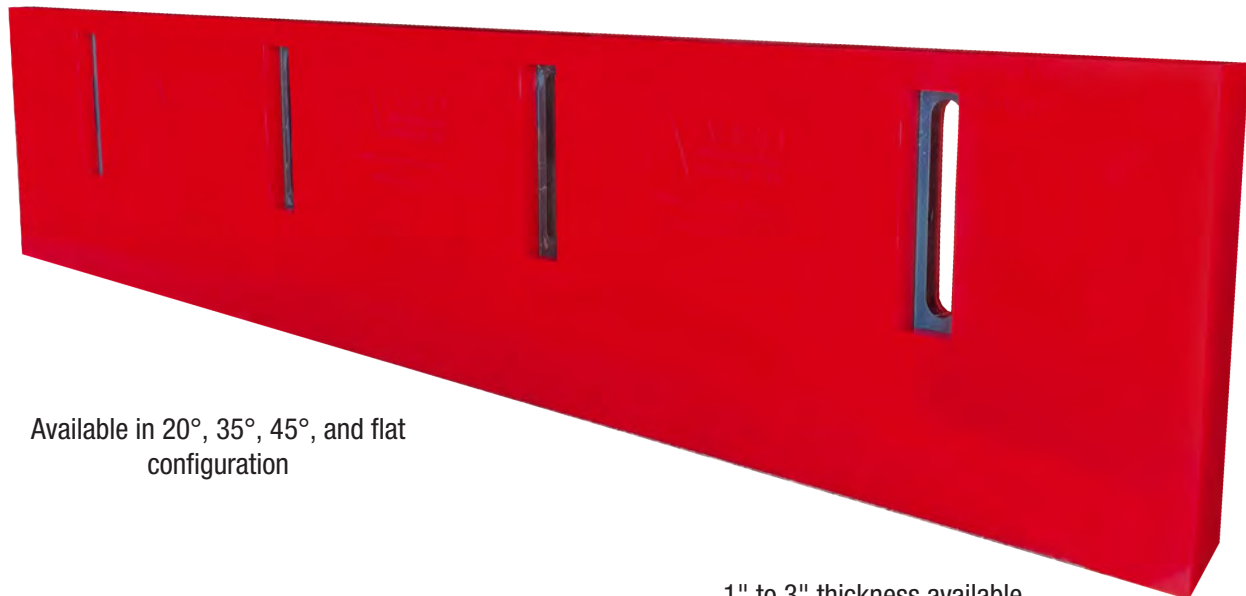


# SIMPLICITY CANOE LINER®

- ✓ Simple Installation
- ✓ Low Maintenance
- ✓ Corrosion Resistant
- ✓ Fast Delivery

Bolt holes on 12" centers for simple installation



Available in 20°, 35°, 45°, and flat configuration

1" to 3" thickness available



- Made of wear-resistant polyurethane.
- Outlasts common rubber liners.
- Proven Arch red urethane compound reduces wear and impact forces.
- Reduces material spillage, lowering maintenance costs.
- Slotted bolt hole allows for vertical mounting adjustment.
- Internal steel mounting plate provides additional rigidity.
- Great for load zones with heavy duty impact
- Reduces side load pressure on skirtboard seals, preventing blowout.
- Extends life of skirtboard seal.



## WHO IS ARCH ENVIRONMENTAL?

Manufacturer and worldwide distributor of preferred bulk conveyor components since 1975.



800.553.4567 [www.archenv.com](http://www.archenv.com)

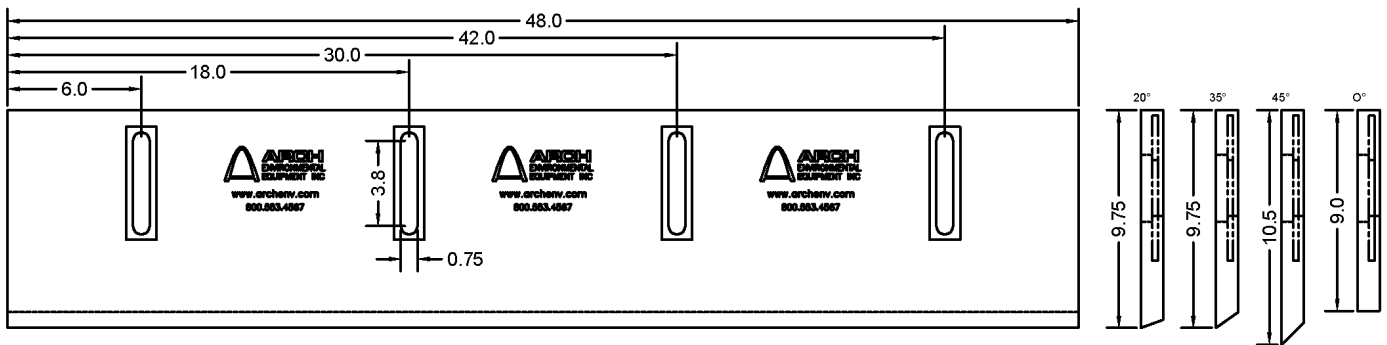
## MECHANICAL DIVISION

Belt Cleaners • Belt Alignment • Sealing Systems  
Dust Control Systems • Impact/Slider Systems

## ELECTRICAL DIVISION

Belt Scales • Metal Detectors • Pull Cord Switches  
Belt Protection Devices • Conveyor Control Systems

# SIMPLICITY CANOE LINER®



Covered under one or more of the following patents:  
 4,202,437;4,231,471;4,436,446;4,489,823;4,533,036;4,779,716;4,877,125;  
 4,989,727;5,149,305;5,222,588;5,222,589;5,219,063;5,350,053;5,725,083  
 other patents pending



**Note:** If available, prices vary with options.