



SIMPLICITY SLIDER SYSTEM

[INSTALLATION INSTRUCTIONS]

SHUT DOWN AND LOCKOUT CONVEYOR BEFORE PERFORMING ANY MAINTENANCE

STEP 1

Locate the position where the Simplicity Slider System will be installed. Ensure there is enough room that a troughing idler of the same troughing angle can be installed within 6"-12" of the start of the bed. Check the troughing angle, roll diameter and CEMA rating of the slider bed and verify it is the correct bed for the application.

STEP 2

Install the support stands on the structure. Ensure the stand orientation is such that the open end of the slot in the wing inserts is facing opposite the direction of the belt travel.
(Fig 2)

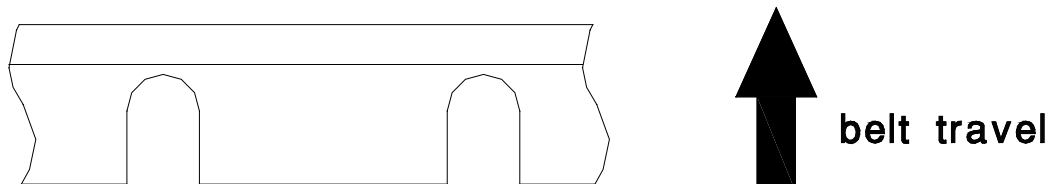
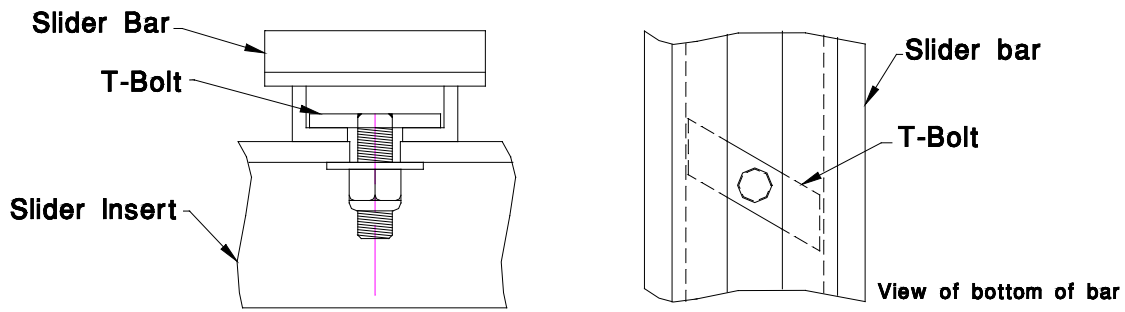


FIG 1

STEP 3

After the stands have been installed, the bars must be bolted to the inserts. When installing the bars, the beveled end should accept the belt first. Use the T-Bolts that are furnished with the slider system. Ensure that no more than 6" of bar is overhanging the wing inserts. When tightening the T-Bolts, make sure the flat portion is up in the bar and rotated so the T-Bolts will not fall out. (Fig 3)



STEP 4

When complete, the Simplicity Slider System should look something like the diagram below (end view shown). (Fig 4)

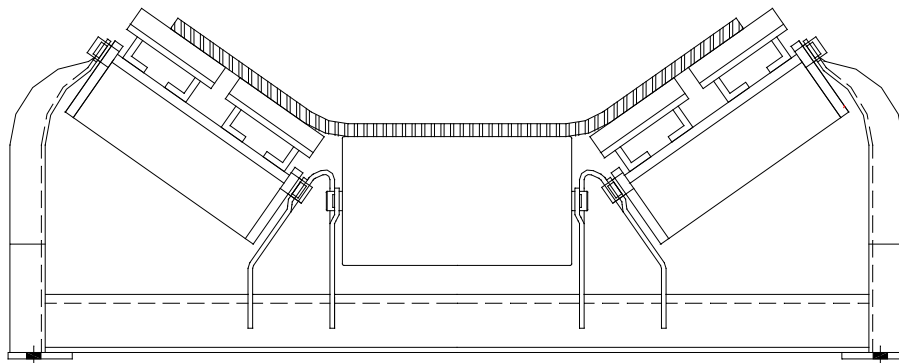


FIG 4

STEP 5

Check all T-bolts and ensure they are tight, and the bars are not loose on the inserts. Ensure that the bars are orientated correctly so the beveled end accepts the belt first. Locate the first idler prior to the slider bed and make sure it is within 6"-12" of the start of the slider bed.

If there are any questions or comments, please contact Arch at 1.800.553.4567.

THANK YOU FOR USING ARCH PRODUCTS!